

MPS Catalog Number

H2 90 10 047 MX SS 024

Date 7/14/2014

_____ End Fittings _____

Tower End Fitting: _____ Gain / 12 deg / Steel

Line End Fitting _____ 2 HL Drop Tongue / Galv. Ductile Iron

_____ Material _____

Corona Ring (Line) _____ None

Corona Rings are recommended for applications of 230 kV and above

Mounting Angle _____ 12

Number of Sheds _____ 24

Rod Diameter _____ 2.5 in

Weight Estimate _____ 65.1 lbs 30 kg

_____ Dimensional Values _____

Section Length (L): _____ 57.2 in 1452 mm

Rubber Length (X): _____ 47 in

Shed spacing (S): _____ 2.0 in 50 mm

Shed Projection (P): _____ 1.6 in 41 mm

Dry Arc Distance _____ 49.0 in 1244 mm

Leakage Distance _____ 127.3 in 3234 mm

_____ Electricals Values _____

60 Hz dry Flashover _____ 464 kV Min. Withstand 435 kV

60 Hz Wet Flashover _____ 429 kV Min. Withstand 340 kV

Pos. Critical Impulse Flashover _____ 804 kV Min. Withstand 716 kV

Neg. Critical Impulse Flashover _____ 857 kV Min. Withstand 756 kV

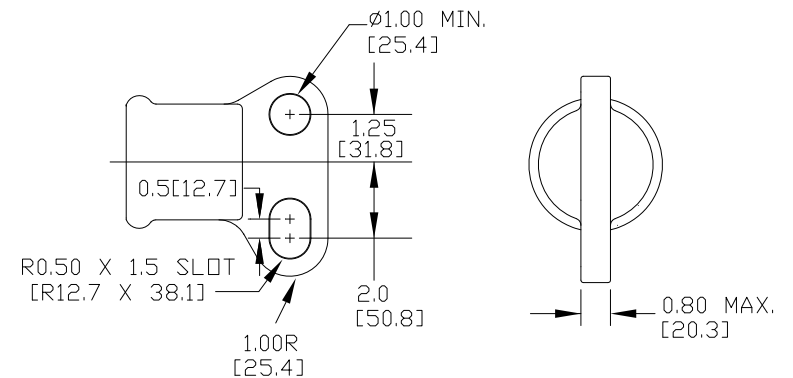
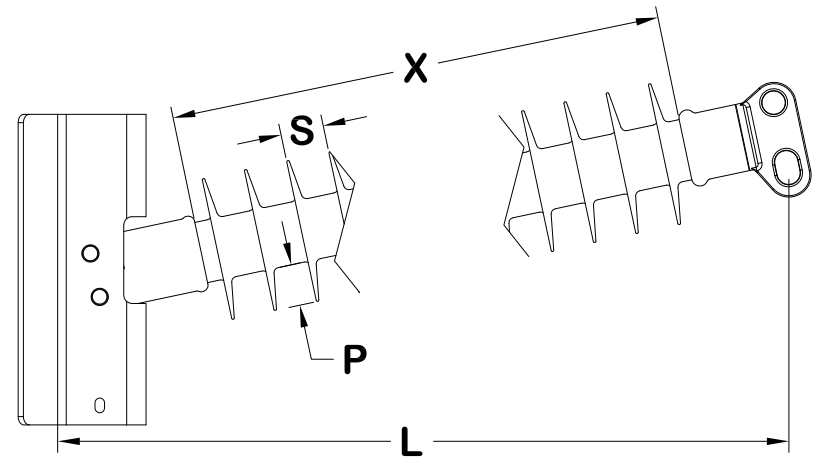
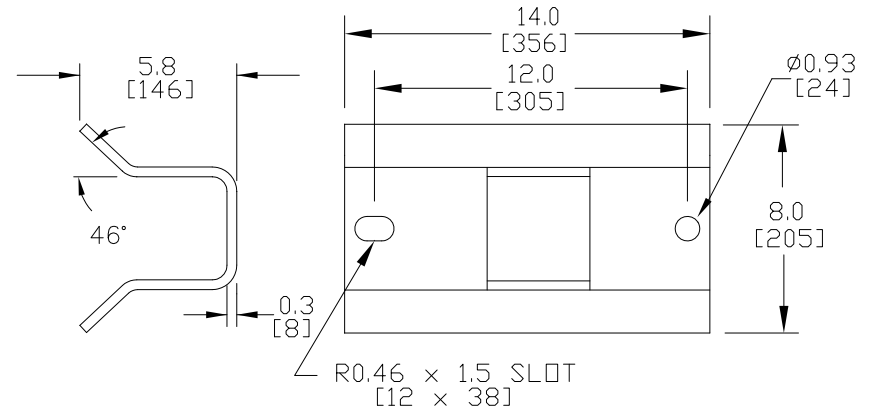
_____ Mechanical Values _____

Max. Design Cant. Load (MDCL) _____ 1,593 lbs 7.1 kN

Specified Cant. Load (SCL) _____ 3,186 lbs 14.2 kN

Specified Tensile Load (STL) _____ 15,000 lbs 66.7 kN

This drawing contains confidential information that is the property of MacLean Power, L.L.C. ("MacLean"). Use of MacLean's confidential information without MacLean's express written consent is strictly prohibited and may expose you to legal liability. If you believe that you received this material in error, please destroy it or return it to "MacLean Power, L.L.C., 7801 Park Place Rd., York, South Carolina 29745, USA."



Dimension: inches [millimeters]

NOTE: Drawing not actual depiction of insulator appearance

Silicone Rubber Sheath & Sheds. Complies with applicable ANSI and IEC standards.